

Reverse Locking Circuit Board Support

Pack of 50



FEATURES:

Top hole diameter 3.2 mm

Bottom hole diameter 4.8 mm

Panel thickness 1.6 mm

SPECIFICATION:

Material Nylon 66 (UL 94 V-2)

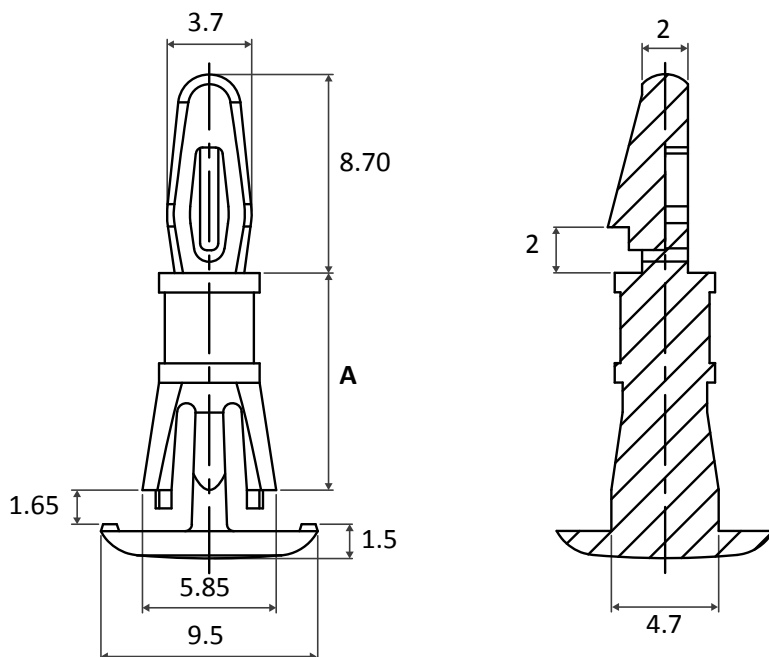
Colour Natural

PRODUCT RANGE:

Art. Nr.	A
RND 610-00157	6.4 mm
RND 610-00158	7.9 mm
RND 610-00159	9.5 mm
RND 610-00160	11.1 mm
RND 610-00161	12.7 mm
RND 610-00162	14.3 mm
RND 610-00163	15.9 mm



For more information and technical drawings, please contact us at info@distrelec.com.



Panel Thickness: Top: 1.57 Bottom: 1.5 - 1.6 Top
Hole: 3.18 dia. +/- 0.05
Bottom Hole: 4.75 dia. +/-0.05